



Asociace podniků českého železničního průmyslu  
*Association of Czech Railway Industry*

# ***Technologies to increase competitiveness among transport operators***

ERTMS deployment in the Czech Republic  
**Presented by Vojtěch Kocourek, Ph.D**  
ACRI Presiding Board Senior Consultant



Asociace podniků českého železničního průmyslu  
Association of Czech Railway Industry

## **ACRI – Association of Czech Railway Industry**

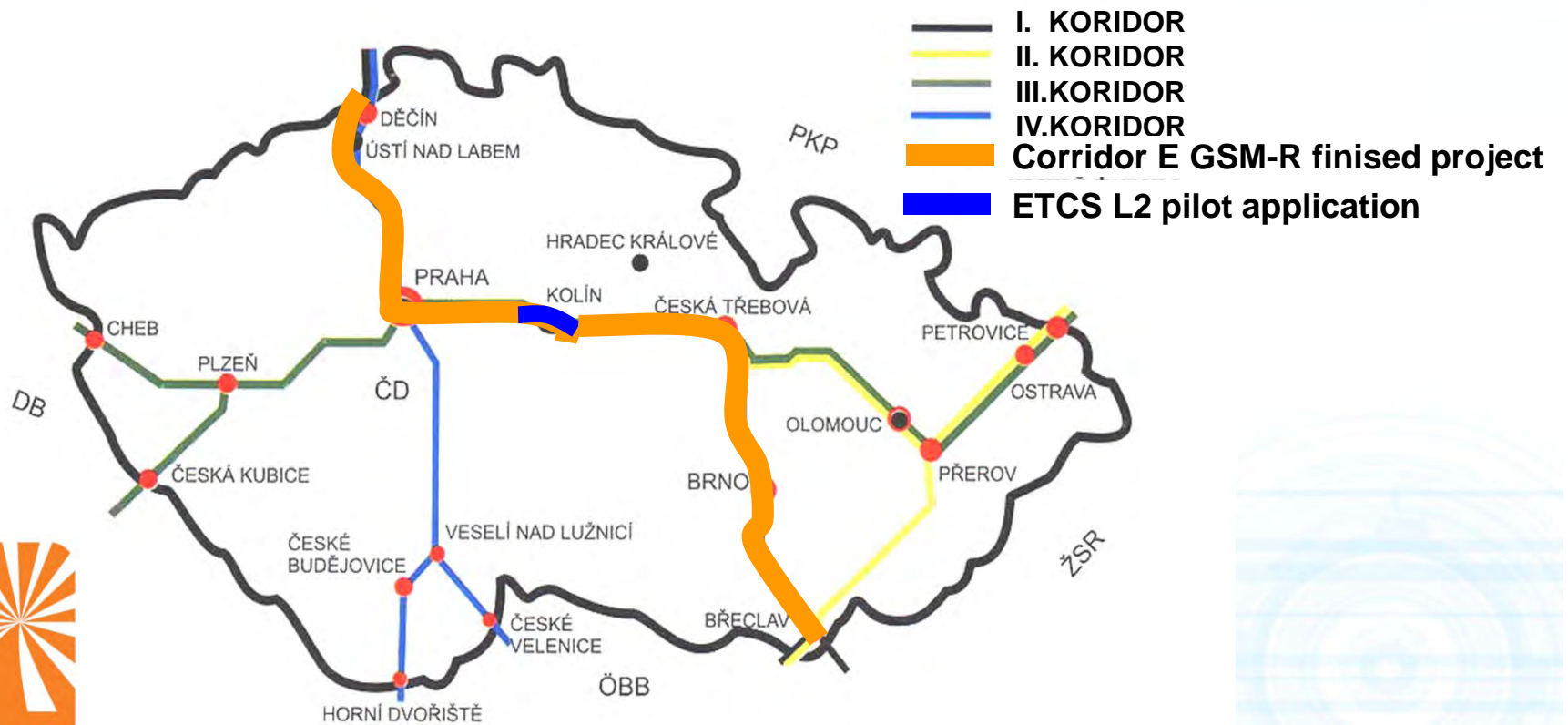
51 leading companies of Czech railway industry associated in ACRI:

- **21.000 employes**
- **annual turnover 62 bil. CZK, 2,5 bil. EUR**
- out of this **export** covers **38%** of production



ACRI is UNIFE member

# ERTMS in Czech Republic today





# Czech industry contribution to ERTMS projects in CZ



## ETCS On-board part

- Delivered of STM (LS) for CZ, SK
- ETCS integration and implementation
- Control systems for vehicle operation up to full supervision of movement by AVV&CRV system

## ETCS Track-side part

- Modification of all interlocking and line block systems
- Collecting and feeding data for RBC
- Development and installation of IRI (Interlocking interface to RBC)

## GSM-R On-board part

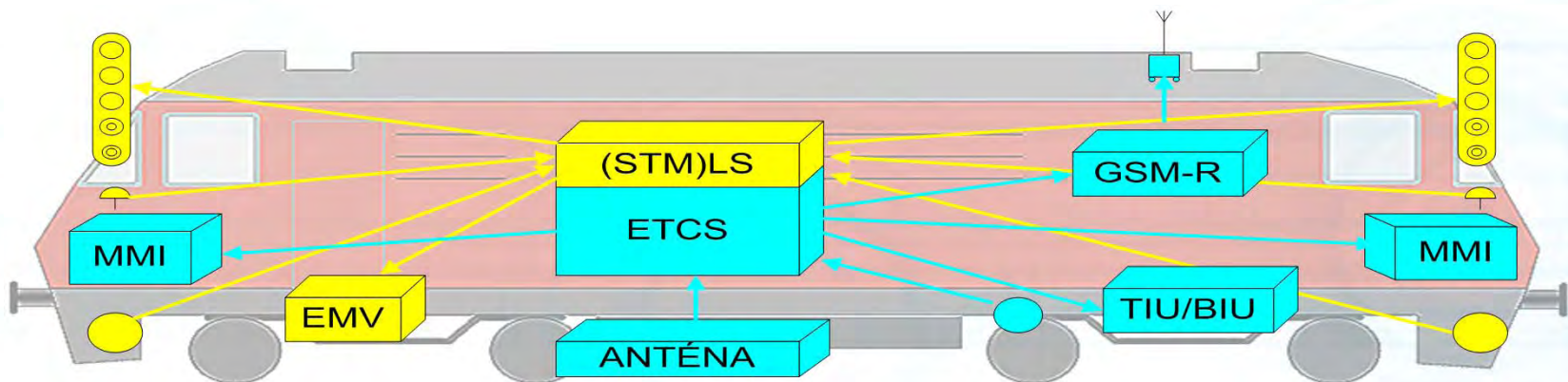
- Integration and Installation of GSM-R cab radio of third party
- ETCS integration and implementation
- Production and installation of tri-band cab radio

## GSM-R Track-side part

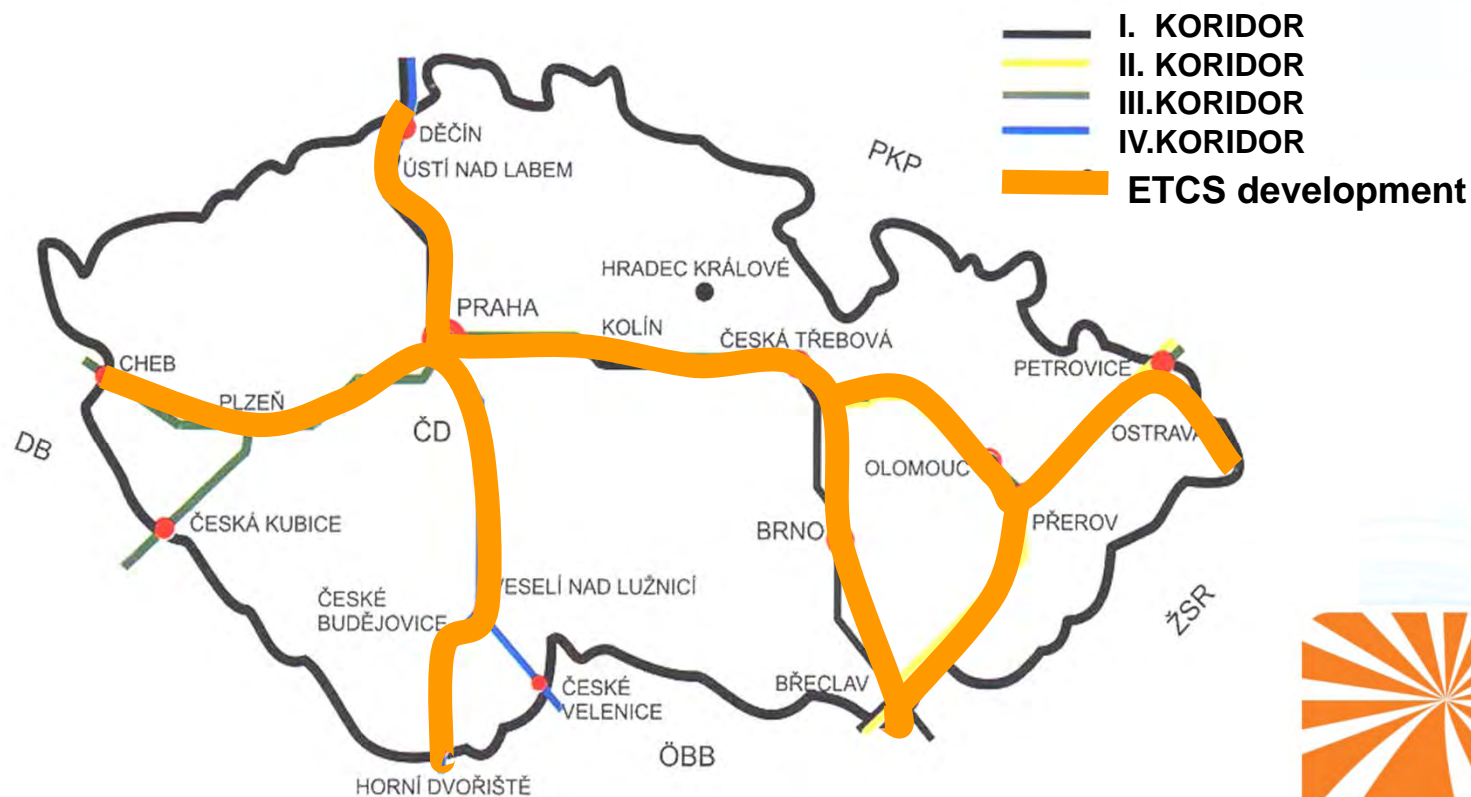
- Feasibility Measuring
- Site Acceptance Test measuring for client
- Installation of BTS

# Vehicle integration

- Installation of STM LS / ATP type LS06 (legacy ATP system Z, SK)
- Vehicle integration



# Planned ERTMS infrastructure till 2020



More info about ERTMS: <http://www.ertms.com>



# ACRI

Asociace podniků českého železničního průmyslu  
*Association of Czech Railway Industry*

[www.acri.cz](http://www.acri.cz)